

PRODUCT

Visitor Lab Coat

TECHNICAL DATASHEET

DESCRIPTION

Integrity Cleanroom clothing products are designed and manufactured to meet the stringent demands of the cleanroom industry. Manufactured from trilaminare nonwoven white material, with zipper and elastic cuffs. Our products provide excellent comfort, breathability and water vapour transmission rates.

FEATURES

- Latex free
- Abrasion resistant
- Low linting

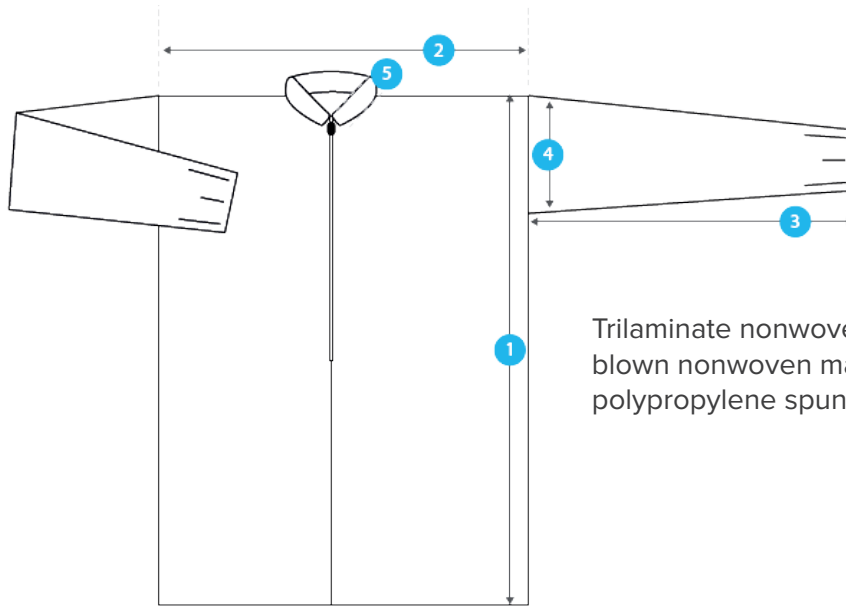


PRODUCT CODE	SIZE	QUANTITY
603-5000	S	Each
603-5001	M	Each
603-5002	L	Each
603-5003	XL	Each
603-5004	2 XL	Each
603-5005	3 XL	Each
603-5006	4 XL	Each
603-5007	5 XL	Each

DESCRIPTION	INTEGRITY RESULT	TEST PROCEDURE PGI STANDARD	REF TEST PROCEDURE ASTM STANDARD
Basis weight oz/yd	40gsm	D3776	D3776
Thickness mils	6.77	D1777	D1777
Strip tensile (MD/CD) lbs/in	8.73/6.22	D1682	D1682
Strip elongation (MD/CD) %	112/107	D1682	D5034
Work to break in - lbs	20.38/12.13	D1682	D1682

To request a quotation or for more information, please call **+44 (0)1473 836205**
email info@integritycleanroom.co.uk or visit www.integritycleanroom.co.uk

IMPORTANT: This data sheet and its contents (the "Information") belong to Integrity Cleanroom or are licensed to it. No licence is granted for the use of it other than for information purposes in connection with the products to which it relates. No licence of any intellectual property rights is granted. The Information is subject to change without notice and replaces all data sheets previously supplied. The Information supplied is believed to be accurate but Integrity Cleanroom assumes no responsibility for its accuracy or completeness, any error in or omission from it or for any use made of it. Users of this data sheet should check for themselves the Information and the suitability of the products for their purpose and not make any assumptions based on information included or omitted. Liability for loss or damage resulting from any reliance on the Information or use of it (including liability resulting from negligence or where Integrity Cleanroom was aware of the possibility of such loss or damage arising) is excluded. © 2024 Integrity Cleanroom.



Trilaminare nonwoven material: one layer of melt blown nonwoven material that is between a layer of polypropylene spunbond material.

SIZE	OVERALL LENGTH	CHEST LENGTH	SLEEVE LENGTH	SLEEVE OPENING WIDTH	COLLAR WIDTH
Dimension	1	2	3	4	5
S	41" (104 cm)	48" (112 cm)	22.4" (57 cm)	10.2" (26 cm)	3.1" (8 cm)
M	42.5" (108 cm)	51.1" (130 cm)	22.4" (57 cm)	10.2" (26 cm)	3.1" (8 cm)
L	43.3" (110 cm)	52.7" (134 cm)	22.4" (57 cm)	10.2" (26 cm)	3.1" (8 cm)
XL	44" (112 cm)	55.9" (142 cm)	22.4" (57 cm)	10.4" (26.5 cm)	3.1" (8 cm)
2 XL	44.9" (114 cm)	57.4" (146 cm)	22.4" (57 cm)	10.4" (26.5 cm)	3.1" (8 cm)
3 XL	45.5" (116 cm)	59" (150 cm)	23.6" (60 cm)	10.6" (27 cm)	3.1" (8 cm)
4 XL	46.5" (118 cm)	60.6" (154 cm)	23.6" (60 cm)	10.6" (27 cm)	3.1" (8 cm)
5 XL	47.2" (120 cm)	62.2" (158 cm)	23.6" (60 cm)	10.6" (27 cm)	3.1" (8 cm)
Tolerance +/-	1.9" (5 cm)	0.9" (2.5 cm)	0.5" (1.3 cm)	0.5" (1.3 cm)	0.5" (1.3 cm)

To request a quotation or for more information, please call **+44 (0)1473 836205**
 email info@integritycleanroom.co.uk or visit www.integritycleanroom.co.uk

IMPORTANT: This data sheet and its contents (the "Information") belong to Integrity Cleanroom or are licensed to it. No licence is granted for the use of it other than for information purposes in connection with the products to which it relates. No licence of any intellectual property rights is granted. The Information is subject to change without notice and replaces all data sheets previously supplied. The Information supplied is believed to be accurate but Integrity Cleanroom assumes no responsibility for its accuracy or completeness, any error in or omission from it or for any use made of it. Users of this data sheet should check for themselves the Information and the suitability of the products for their purpose and not make any assumptions based on information included or omitted. Liability for loss or damage resulting from any reliance on the Information or use of it (including liability resulting from negligence or where Integrity Cleanroom was aware of the possibility of such loss or damage arising) is excluded. © 2024 Integrity Cleanroom.